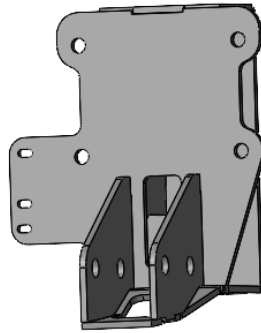
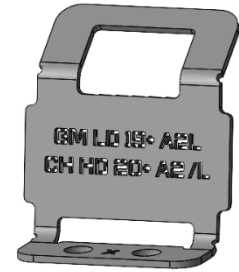


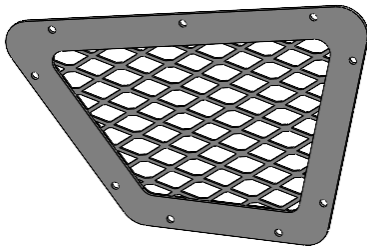
Driver Side Truck Mount



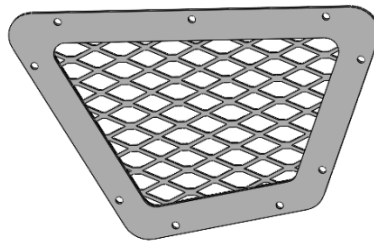
Passenger Side Truck Mount



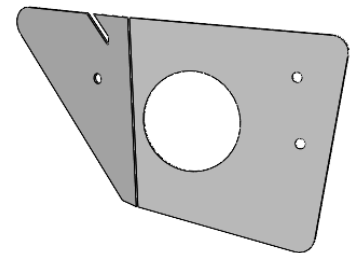
Camera Relocation Bracket



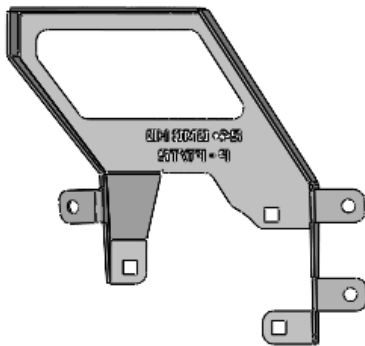
Fog Light Mesh Plate Passenger



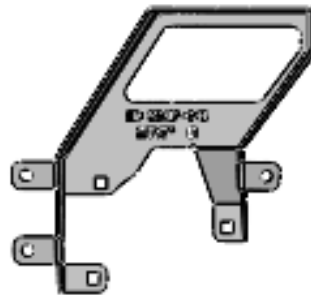
Fog Light Mesh Plate Driver



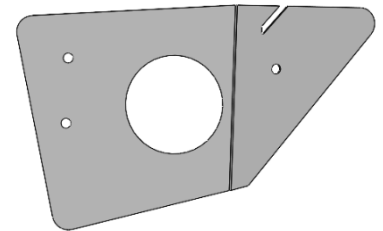
OEM Fog Light Front Plate Passenger



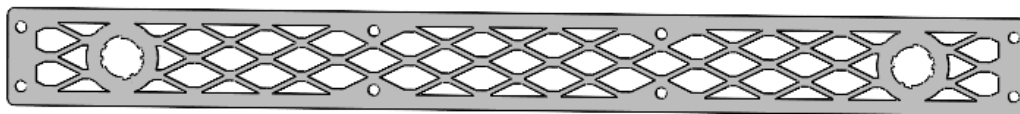
OEM Fog Light Bracket Passenger



OEM Fog Light Bracket Driver



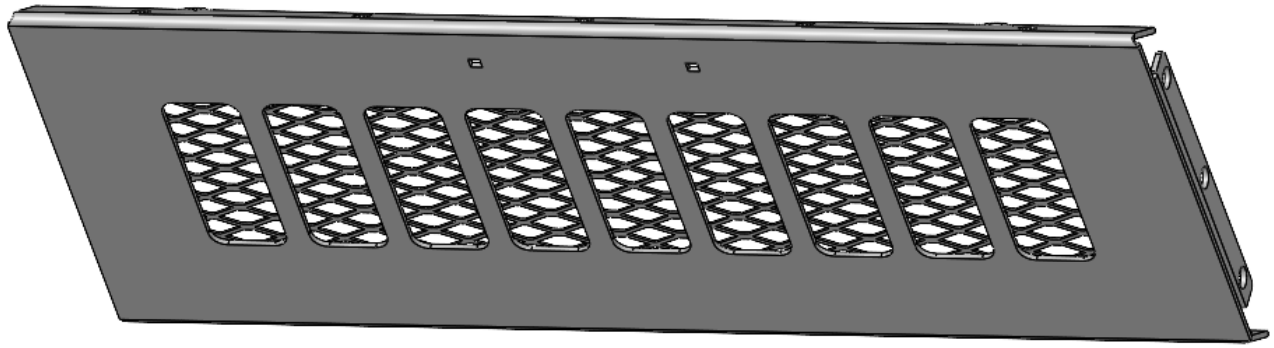
OEM Fog Light Front Plate Driver



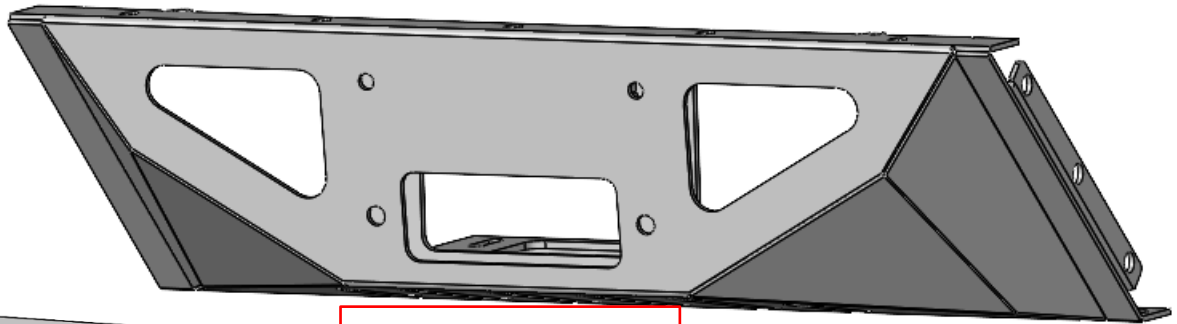
Center Mesh



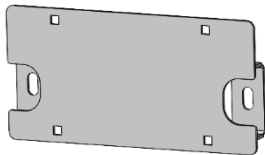
Center Mesh Mount Tab x4



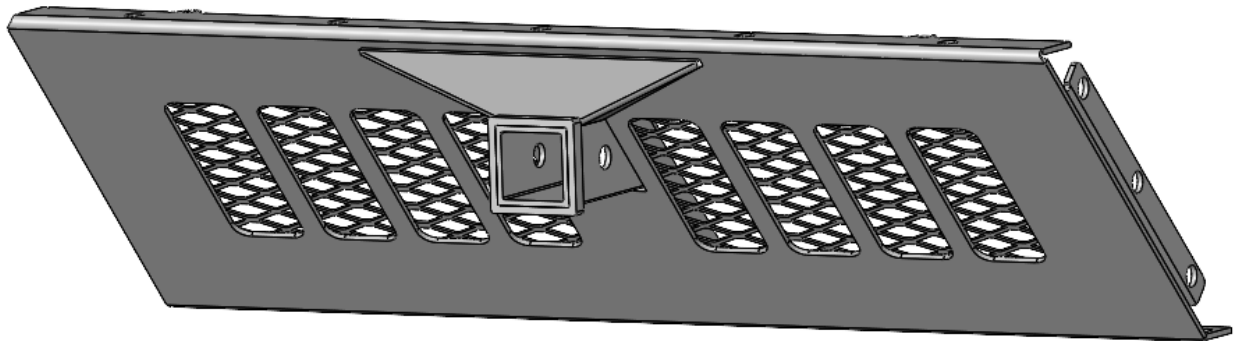
Standard Skid Plate



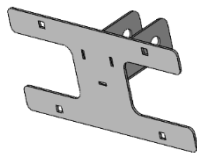
Winch Mount Skid Plate



Standard License Plate



Receiver Skid Plate



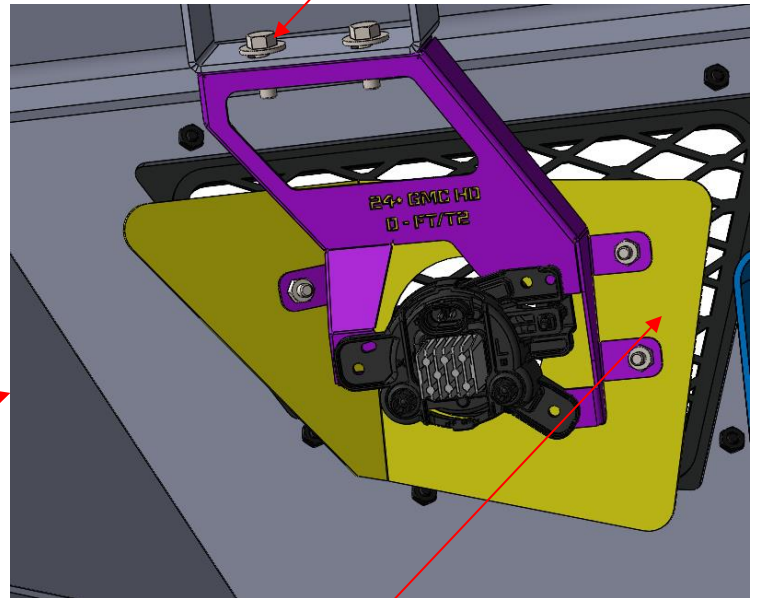
Receiver Skid License Plate

<u>T2 Front Center Section</u>	<u>Qty:</u>
3/8"-16 x 1" Yellow Zinc Grade 8 Hex Bolt	10
3/8"-16 x 2" Yellow Zinc Grade 8 Hex Bolt	6
3/8"-16 Zinc Grade 8 Serrated Hex Flange Nut	11
3/8"-16 Clip Nut	5
3/8" Yellow Zinc Grade 8 Flat Washer	27
<u>T2 Front Mesh</u>	<u>Qty:</u>
1/4-20 x 5/8 Long, Stainless Steel SBHCS	8
1/4-20 (.093-.126: Panel Range) Zinc Electroplate Spring Steel Cage Nut	8
<u>T2 Front License Plate</u>	<u>Qty:</u>
M8-1.25 x 25mm Long Grade 8.8 Hex Bolt	2
5/16" Zinc Grade 5 Flat Washer	4
M8x1.25 Zinc Grade 8.8 Serrated Hex Flange Nut	2
Plastic License Plate Nuts	4
#14 x 5/8" Zinc License Plate Screw	4
<u>T2 Front Fog Light Assembly</u>	<u>Qty:</u>
1/4-20 x 5/8 Long, Stainless Steel SBHCS	24
1/4-20 Hex Grade 5 Serrated Flange Nut, Stainless Steel	24
5/16"-18 x 1" Zinc Grade 5 Hex Bolt	4
5/16" Zinc Grade 5 Flat Washer	8
5/16"-18 Zinc Grade 8 Serrated Hex Flange Nut	4
<u>T2 Front Camera Mount</u>	<u>Qty:</u>
1/4-20 x 5/8 Long, Stainless Steel SBHCS	2
1/4-20 Hex Grade 5 Serrated Flange Nut, Stainless Steel	2
<u>T2 Front Mount Kit 24 GMC HD</u>	<u>Qty</u>
1/2"-13 x 1-1/2" Long, Grade 8 HB, Zinc Double Bolt (1.75")	4
1/2" Washer, Grade 8 Zinc-Yellow	16
1/2"-13 Grade 8 Steel Serrated Flange Nut Zinc	16
1/2"-13 x 1-1/2" Zinc Tear Drop Bolt (Hex)	8

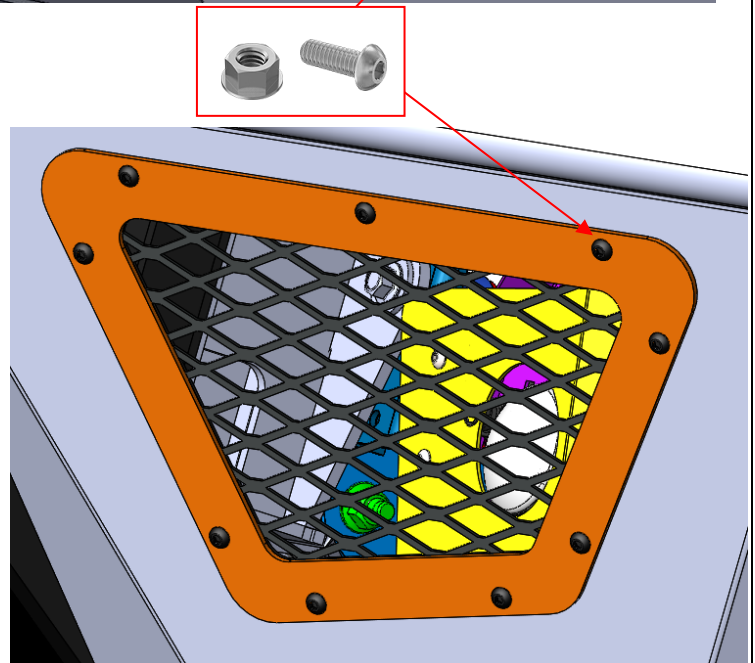
FOG LIGHT INSTALLATION

- 1) The OEM round fog lights will attach to the fog light bracket (purple) using factory hardware or (3) 1/4"-20 button head bolts and hex nuts.
- 2) The front plate (yellow) uses (3) 1/4"-20 button head bolts and hex nuts to attach to the fog light bracket (purple)
- 3) The fog light bracket (purple) attaches to the bumper using (2) 5/16"-18 x 1" Zinc Grade 5 Hex Bolts with washers and hex nuts.

Driver Side Fog Light Installation Pictured

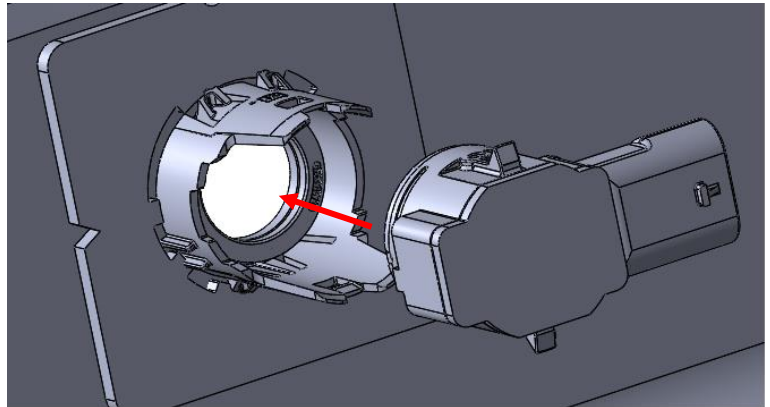
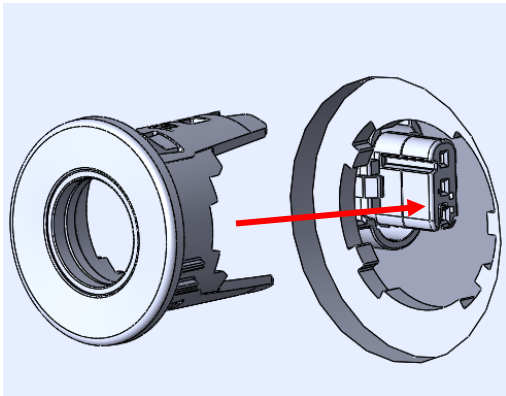
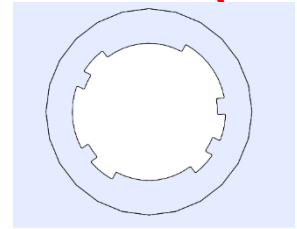
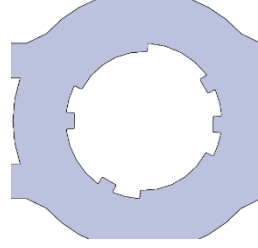
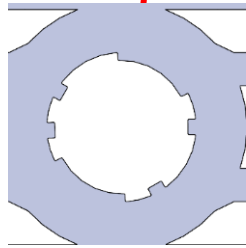
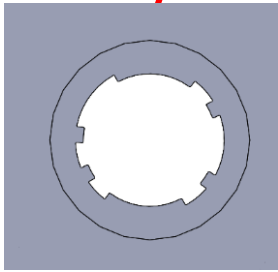
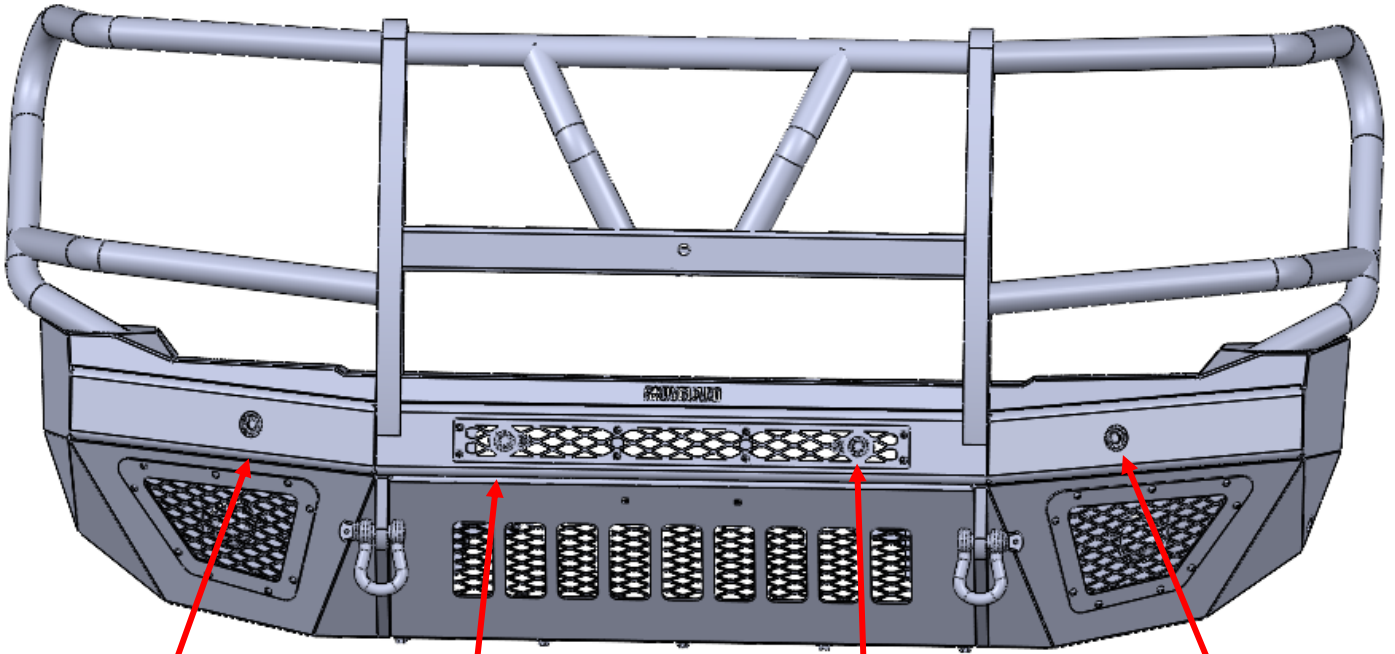


- 4) The fog light mesh will attach to the bumper using (9) 1/4"-20 button head bolts and hex nuts.
- 5) Repeat steps 1-4 to install the remaining fog light assembly.



PARKING SENSOR INSTALL (OPTIONAL)

1. If your vehicle is equipped with parking sensors, use the factory sensors and bezels to install in the four ports indicated above. Note that the two outer ports have different notched configurations to correspond to the appropriate bezel.



SENSOR PLUG INSTALL

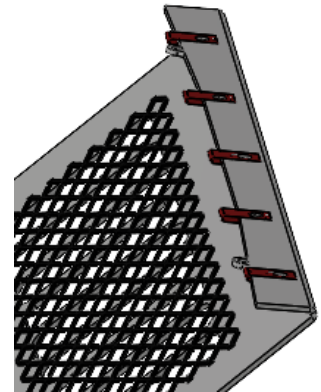
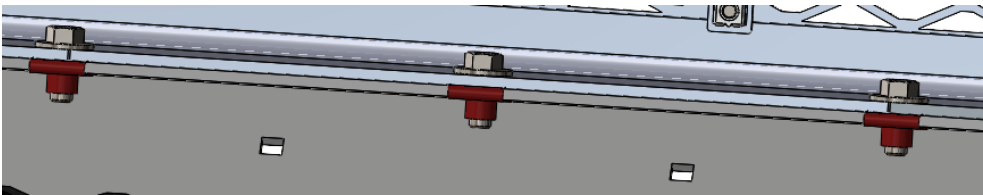
1. If your vehicle is not equipped with parking sensors, install the provided plugs and install them into the parking sensor holes. Install fog light pods onto the fog light buckets, then install the fog light buckets onto the bumper along with the sensor plate for the fog lights. Be sure to plug in the sensor to the harness before installing.



Parking sensor plug

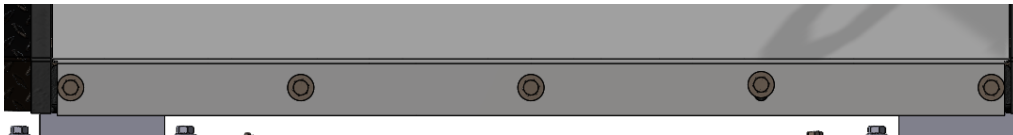
CENTER SECTION INSTALLATION

1. There are 3 different versions of the T2 center section (Standard, Receiver and Winch). They all use the same method to install them to the bumper. First install (5) 3/8"-16 Clip Nut to the top lip of the center section plate.

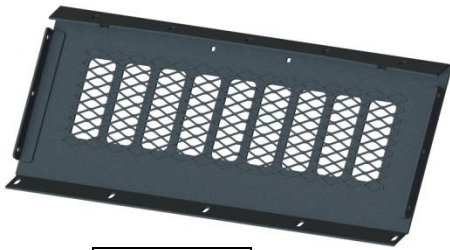
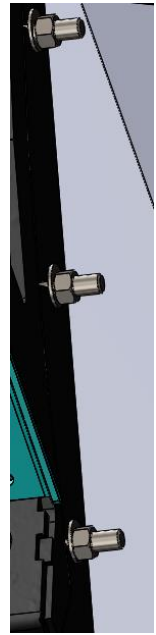
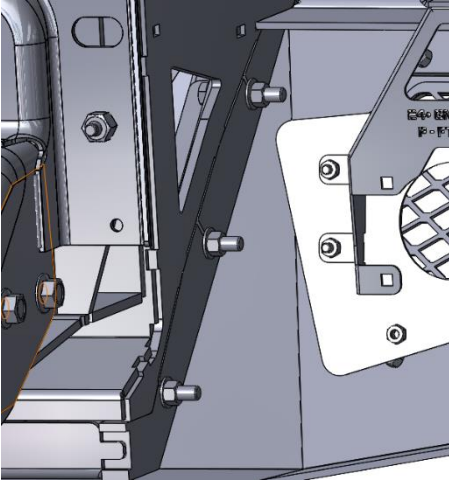


2. Then using (5) 3/8"-16 x 1" Yellow Zinc Grade 8 Hex Bolts and washers to secure the plate to the bumper.

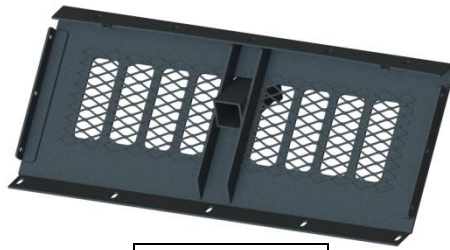
3. Next the bottom lip of the center section will attach using (5) 3/8"-16 x 1" Yellow Zinc Grade 8 Hex Bolts, hex nuts, and washers.



4. Finally, each plate will have a side flange that will bolt to the rear portion of the shackle mount using (3) 3/8"-16 x 2" Yellow Zinc Grade 8 Hex Bolt, hex nuts, and washers per side.



SKID PLATE



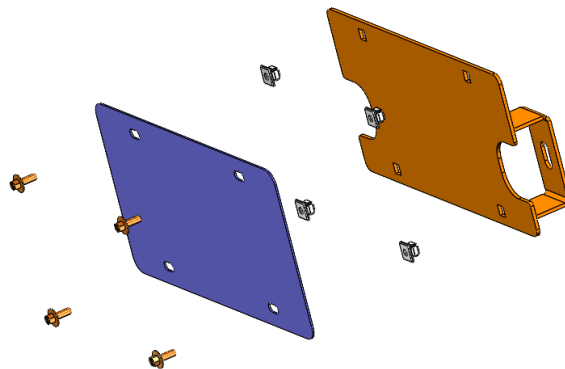
RECEIVER SKID



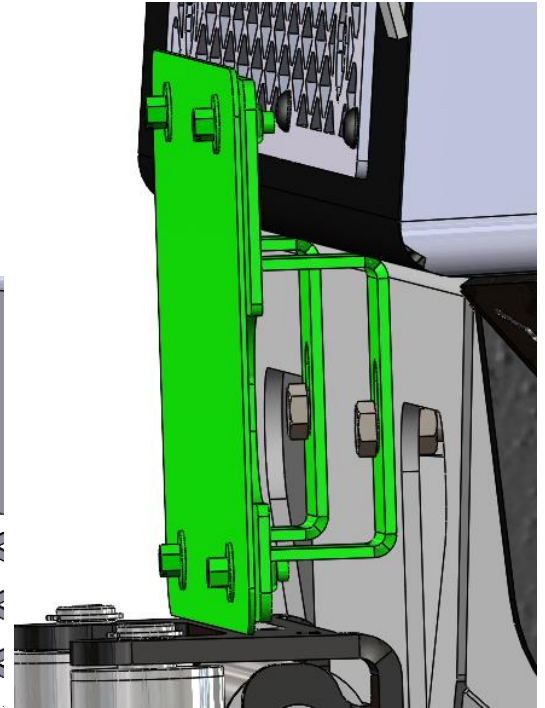
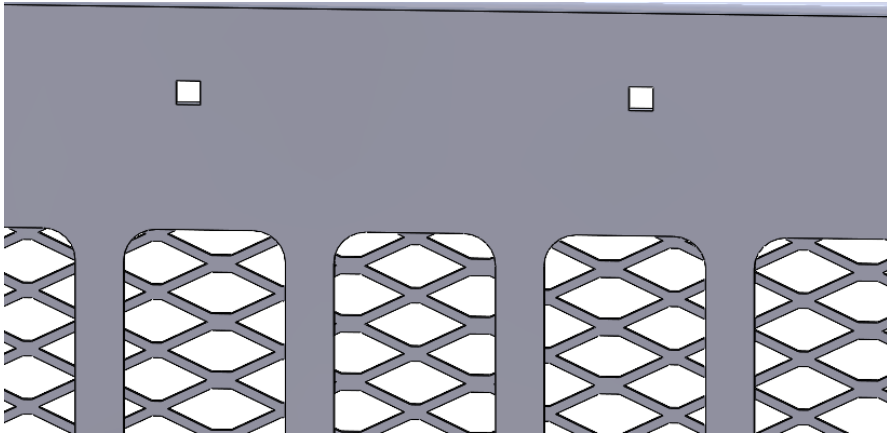
WINCH MOUNT

LICENSE PLATE INSTALLATION

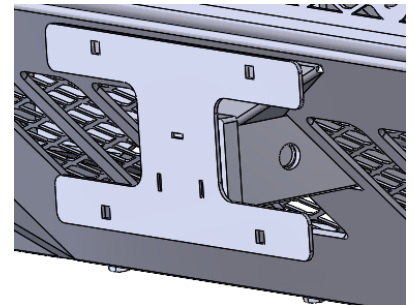
1. Both the winch mount and standard center sections can receive the standard license plate bracket. First install the (4) Plastic License Plate Nuts (white) into the square openings in the license plate bracket (orange).
2. Then using the (4) #14 x 5/8" Zinc License Plate Screws secure your license plate (blue) to the license plate bracket.



3. If you have the winch mount center-section you can use (2) M8-1.25 x 25mm Long Grade 8.8 Hex Bolts and hex nuts and washers to secure the license plate bracket about the fair lead as shown.
4. For the standard center section you can use (2) Plastic License Plate Nuts and (2) #14 x 5/8" Zinc License Plate Screws secure your license plate directly to the plate using the square openings provided.

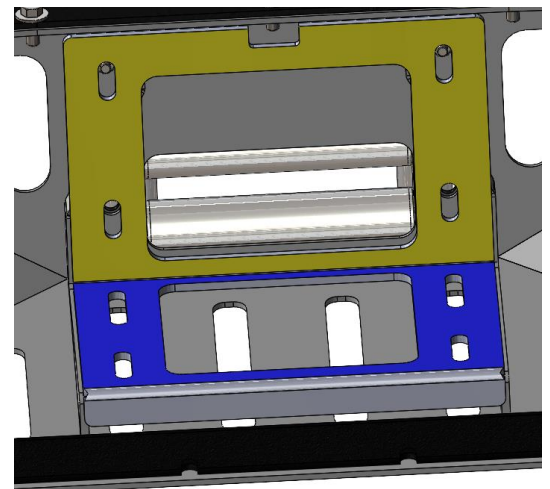


5. The License Plate Bracket can also be secured to the front center mesh using the same hardware from step 3.
6. The receiver center section includes a license plate bracket that fits into the receiver tube and mounts using a hitch pin or similar hardware.



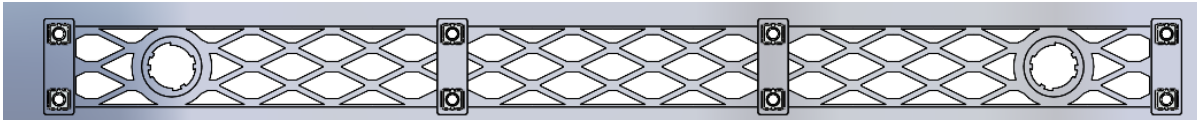
WINCH INSTALLATION

1. The front face of the winch mount plate (yellow) is for front mount winches. The base plate (blue) is for installation of standard winches. Use OEM winch hardware to attach the winch.
2. Bodyguard Bumpers are sized for, and mounting hole placements are designed based on WARN winches. While our bumpers may accommodate other brands of winches, we only guarantee the fitment of WARN winches up to the Zeon 12.

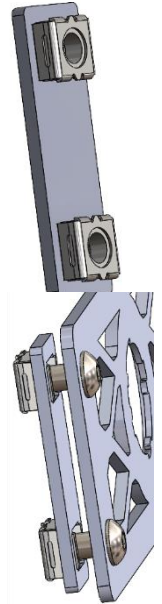


CENTER MESH INSTALLATION

1. There are four brackets included for installing the center section. Insert (2) 1/4-20 (.093-.126: Panel Range) Zinc Electroplate Spring Steel Cage Nuts into each bracket as shown.

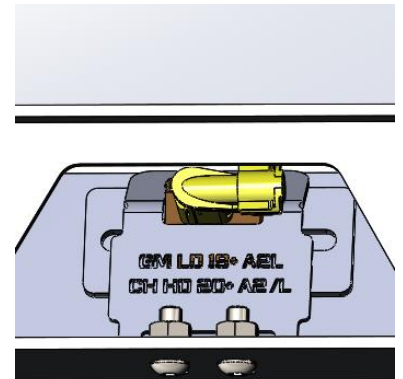


2. The brackets are placed to the inside of the bumper and with the (8) 1/4-20 x 5/8 Long, Stainless Steel SBHC Screws installed as shown will, secure the mesh.



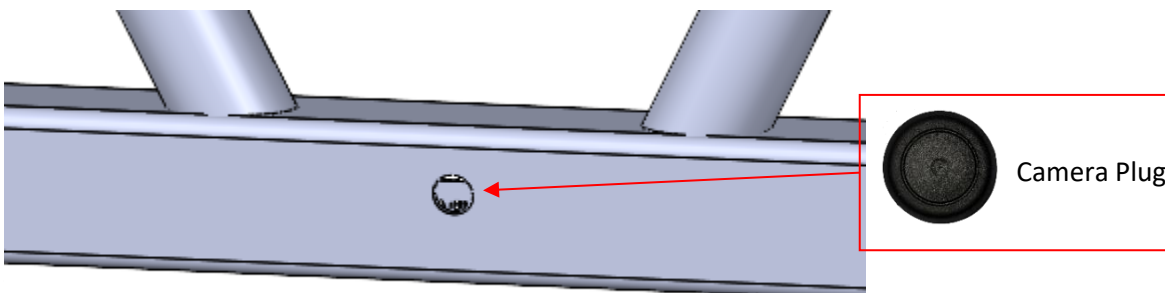
CAMERA INSTALL FOR EXTREME GUARD (OPTIONAL)

1. Install the camera with the provided bracket. This bracket will press the camera against the bumper.
2. Use (2) - 1/4-20 x 5/8 Long, Stainless Steel SBHCS and hex nuts to secure the bracket as shown.



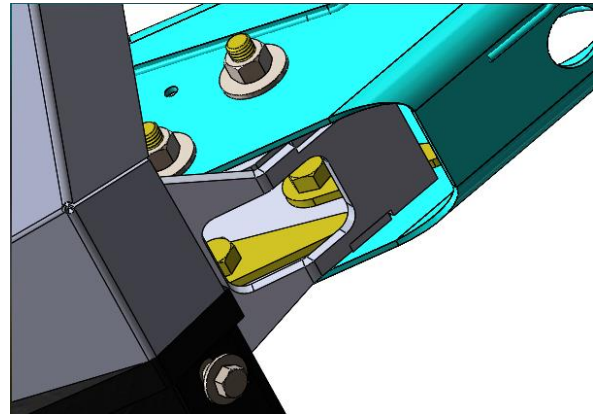
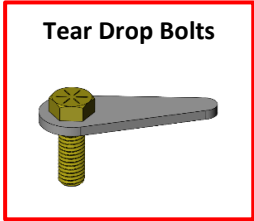
CAMERA PLUG INSTALL

1. If your truck does not have the factory front camera, insert the provided plug into the camera cutout.

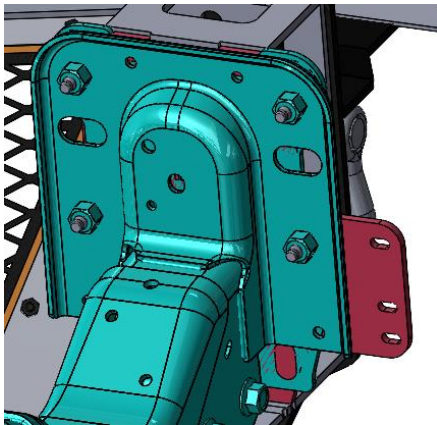


MOUNT INSTALL

1. Attach the truck mounts with the (8) 1/2"-13x 1-1/2" Zinc Tear Drop Bolt (Hex) nuts and washers leaving enough space to adjust as needed.



2. Then use the factory bolts to secure the front mount plate to secure the plate using the 4 weld-in hex nuts on the driver and passenger sides of the vehicle.

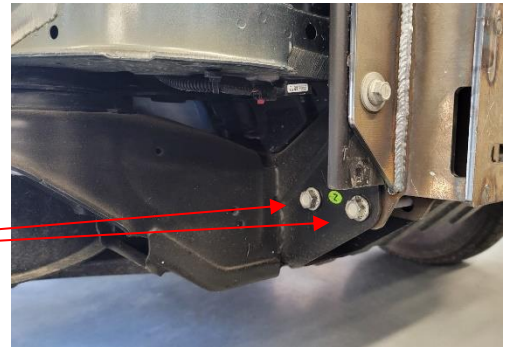


**Factory bolts
GM #11569664**






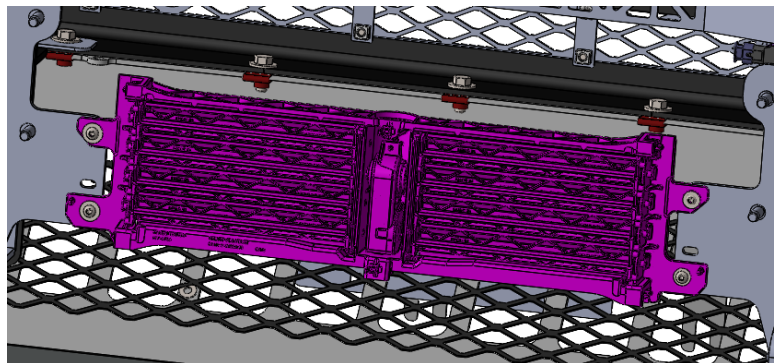
NOTE:You may use the factory tow hook bolts in place of the tear drop bolts.

Factory Hardware



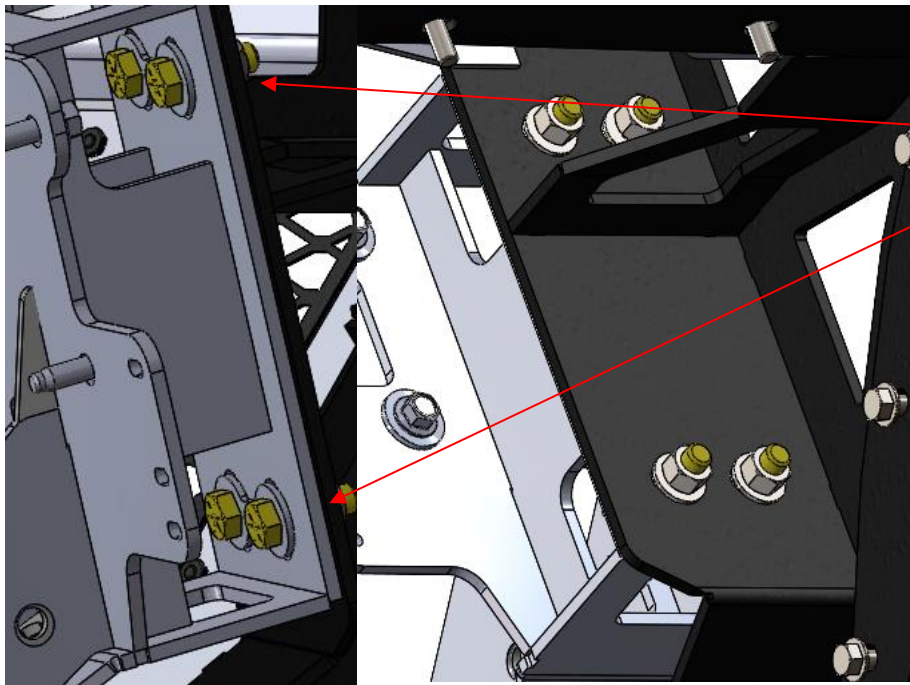
ACTIVE AERO SHUTTER INSTALL

-  4x - 1/4-20 x 3/4 Long, Stainless Steel SBHCS
-  4x - 1/4-20 Hex Grade 5 Serrated Flange Nut, Stainless Steel
-  4x - 1/4"ID x 3/4"OD Fender Washers



BUMPER INSTALL

1. To attach the bumper the previously installed mounts, use (2) 1/2"-13 x 1-1/2" Long, Grade 8 HB, Zinc Double Bolt (1.75") washers and hex nuts.



Use Double Bolts to secure Mounts to Bumper.

SAFETY

THE SAFETY OF YOU AND OTHERS IS VERY IMPORTANT TO US!

To minimize this risk and make an informed decision about safety, it is important that you carefully read and follow the installation instructions we have provided.

We urge you to use your own good judgment and allow plenty of time for installation.

HAZARD CHECKLIST

1. Always wear personal protective equipment (PPE) such as: protective eye wear, gloves, close-toed shoes, etc.
2. We recommend that you use a certified mechanic or shop for professional installation.
3. Always set emergency brakes on the vehicle and use tire blocks to ensure vehicle stabilization.
4. Use caution when lifting, we recommend the use of equipment to help lift bumpers into place.
5. Use caution when using power tools such as air ratchet, etc.
6. Take caution when installing wiring.
7. Perform regular inspections of hardware, bolts, brackets, etc.
8. Rigid light brackets are specifically designed to fit Rigid lights, we do not guarantee off-brand fitment.
9. Our winch mount is designed for Warn and Superwinch products. We do not guarantee off-brand fitment.

USE & RISK

Bodyguard Products LLC is not responsible for damage to our products, or other subsequent damage that might occur because of misuse or improper installation. While we do manufacture products that appear stronger than factory parts, our products should not be viewed or relied upon as life-saving devices in the event of a collision or rollover. We make no claims relating to airbag compatibility, crashworthiness, or sturdiness. It is the customer's responsibility to check with the vehicle manufacturer or auto dealer regarding airbag compatibility and automobile manufacturer's warranty before installing our products.

FINISHING UP

- Install shackles.
- Confirm that all hardware is tightened, and everything is secure.
- Secure wiring harnesses for lights and sensors.
- Test all lighting and wiring before using vehicle (fog lights, sensors, etc.).

MAINTENANCE

- Periodically check that all hardware is tightened and that all wiring and connections are secure.
- Periodically check that all sensor plugs are secure.
- Routinely wash the bumper to maintain the powder coat finish.

FEEDBACK

We would love to hear from you!

Please send your pictures, testimonials, comments, or suggestions to us by email at info@bodyguardbumpers.com. We frequently use customer pictures for brochures and marketing materials, and we always welcome customer feedback to ensure quality improvements within our company. Thanks for your purchase; we appreciate your business very much!

Where **STRENGTH** Meets *Style!*™



@BodyguardBumpers